

## TECHNICAL SPECIFICATION

### LED High bay fixtures – SENA



#### Technical data

- Power: 50W/100W
- Nominal voltage: 85V – 265V
- Power supply: low-voltage , direct-current device - driver
- LED type: COB
- Light source: Epistar Taiwan
- Luminous flux:
  - SENA 50W – 4000lm
  - SENA 100W – 8000lm
- Color temperature: 5500K
- Protection against dust and moisture: IP64
- Housing: aluminum
- Colour of the housing: grey
- Reflector: aluminum diameter 450mm 120°
- Long life: 30000 hours
- Colour rendering index: Ra≥80
- Ambient temperature: -40°C ÷ +65°C

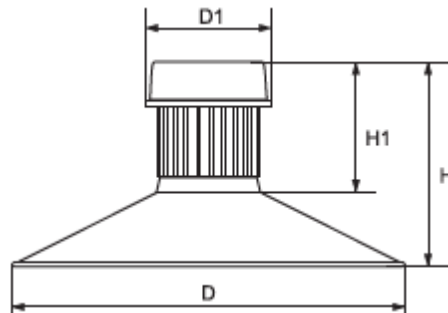
## Areas of application

- Commercial
- Sports buildings
- Warehouses
- Production halls

## Product benefits

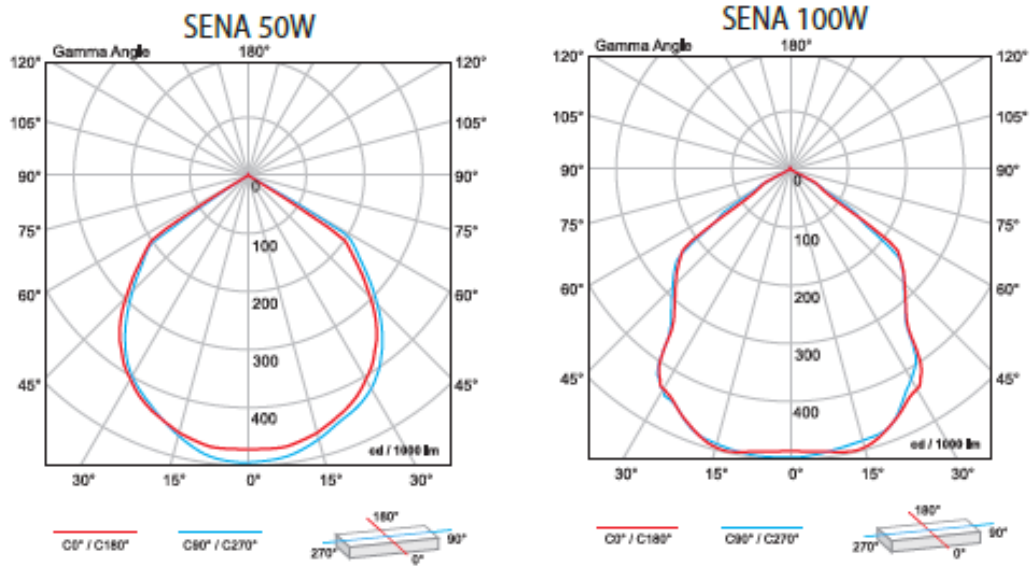
- Efficient replacement of metal halide high bay fixtures
- Safety - low voltage operation
- Homogenous and flicker-free light distribution
- Low power consumption
- Repeated switch on/off does not affect the lifespan of the fixture
- Instant light at maximum luminous flux
- Environmentally friendly - no mercury and lead
- No ultraviolet and infrared rays
- Resistant to shock and vibration stable body

## Variants and dimensions

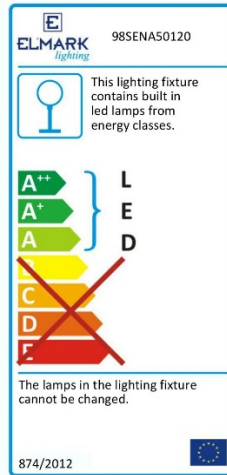


Model	Watt	LED chip lumens (lm)	Whole fixture lumens (lm)	Colour temp. (k)	Colour body	Size				Catalogue number	Packing (pcs)
						D	D1	H	H1		
SENA50	50	6000	4000	5500	grey	450	220	350	210	98SENA50120	1
SENA100	100	12000	8000	5500	grey	450	220	400	260	98SENA100120	1

## Luminous distribution curves



## Energy efficiency



## Barcodes

Barcodes	Catalogue number
3800131187857	98SENA50120
3800131187864	98SENA100120

## Standards

EN 55015

EN 61000-3-2; EN 61000-3-3

EN 61547

EN 61000-4-2; EN 61000-4-4; EN 61000-4-5; EN 61000-4-8; EN 61000-4-11

